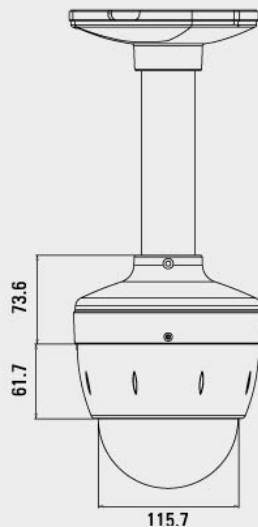
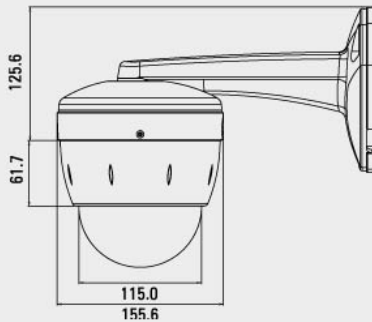


AST-SM1063N(P)/1065N(P)

Mini High Speed Dome Camera

**SM1063N(P): 100x Indoor Speed Dome, 12VDC****SM1065N(P) : 100x Indoor Speed Dome, 24VDC****Features**

- 128 preset positions
- 100x Zoom (Optical 10x, Digital 10x)
- Pan rotation range endless 360°
- Tilt rotation range 0° to 90°
- Pan/Tilt maximum rotating speed is 360°/sec
- 1/4" SONY Super HAD CCD
- 500 TVL high resolution
- Electronic sensitivity-up (DSS)
- Auto focus, Auto parking functions
- Auto-Flip function
- Privacy masking function
- RS-485 protocol compatible

DIMENSIONS**Optional Accessories**

SWB1000 : Wall mount bracket

SPB1000 : Pendant mount bracket

Model	AST-SM1063N	AST-SM1063P
Signal System	NTSC	PAL
Scanning System	2:1 Interlace	
Scanning Freq. (H)	15.734 kHz	15.625kHz
Scanning Freq. (V)	59.94Hz	50Hz
Sync. System	Internal / Line-Lock	
Image Sensor	SONY 1/4" Super HAD Interline transfer CCD	
Effective Pixel No. (V)	768(H) x 494(V) 380K	752(H) x 582(V) 440K
H.Resolution	500 TV Lines(Color), 570 TV Line(B/W)	
Min.Illumination	0.7Lux(Color), 0.005Lux(Color, Sense-up), 0.02Lux(B/W)	
Day & Night Type	Electronic sensitivity-up (DSS), ICR(AGC Type)	
Video Output	1.0Vp-p (75Ω, composite)	
Video S/N Ratio	50dB (AGC off, Weight On)	
Communication	RS-485, Controllable up to 255 cameras simultaneously	
Camera ID / Protocol	256 IDs/Pelco-D, Pelco-P selectable	
Lens		
Zoom Ratio	100x Zoom (10x Optical Zoom, 10x Digital Zoom)	
Focal Length	3.8 (W)mm ~ 38.0 (T)mm	
Apture Range	F1.6 (W) ~ F3.8 (T)	
Pan and Tilt		
Panning/Tilting Range	Pan: 360° endless rotation; Tilt: 90°	
Panning/Tilting Speed	Manual: 0.1° ~ 360°/sec (Zoom Proportional)	
Panning/Tilting Accuracy	±0.25°	
Preset	128 position with Labels	
Swing / Pattern / Group	8 Swings/4 Patterns(about 5min/Pattern)/8 groups(max. 20)	
Main Functions		
OSD Menu	ON/OFF (English)	
Focus Control	Auto/Manual/Semi-Auto	
Color / BW Switching	Supplied	
Day/Night	Auto/Day/Night(ICR)	
Electronic Shutter	1/60~1/120,000sec	1/50~1/120,000sec
Iris Control	Auto/Manual(F1.6~Colse 18 step)	
Gain Control	Normal/High/OFF Selectable	
Brightness Control	Adjustable (0~31)	
White Balance	Auto/Manual(Red, Blue Gain Adjustable)	
BLC / Flickerless	ON/OFF	
Power-up Action	Resume the last action ececuted (Preset, Swing, Group)	
Auto Parking / Flip	ON/OFF; ON/OFF(rotates dome 180° at bottom of tilt travel)	
Privacy Zone	On/Off (8 Zone settings)	
Alarm I/O	4 inputs, 2 outputs	
Image Setup	Global / Local (setting WB & AE)	
Electrical & General		
Power	DC 12V / Max. 3.5W	
Dimensions (approx.)	Φ115	
Weight (net)	Approx. 805.5g (without optional accessories)	

Model	AST-SM1065N	AST-SM1065P
Signal System	NTSC	PAL
Scanning System	2:1 Interlace	
Scanning Freq. (H)	15.734 kHz	15.625kHz
Scanning Freq. (V)	59.94Hz	50Hz
Sync. System	Internal / Line-Lock	
Image Sensor	SONY 1/4" Super HAD Interline transfer CCD	
Effective Pixel No. (V)	768(H) x 494(V) 380K	752(H) x 582(V) 440K
H.Resolution	500 TV Lines(Color), 570 TV Line(B/W)	
Min.Illumination	0.7Lux(Color), 0.005Lux(Color, Sense-up), 0.02Lux(B/W)	
Day & Night Type	Electronic sensitivity-up (DSS), ICR(AGC Type)	
Video Output	1.0Vp-p (75Ω, composite)	
Video S/N Ratio	50dB (AGC off, Weight On)	
Communication	RS-485, Controllable up to 255 cameras simultaneously	
Camera ID / Protocol	256 IDs/Pelco-D, Pelco-P selectable	
Lens		
Zoom Ratio	100x Zoom (10x Optical Zoom, 10x Digital Zoom)	
Focal Length	3.8 (W)mm ~ 38.0 (T)mm	
Apture Range	F1.6 (W) ~ F3.8 (T)	
Pan and Tilt		
Panning/Tilting Range	Pan: 360° endless rotation; Tilt: 90°	
Panning/Tilting Speed	Manual: 0.1° ~ 360°/sec (Zoom Proportional)	
Panning/Tilting Accuracy	±0.25°	
Preset	128 position with Labels	
Swing / Pattern / Group	8 Swings/4 Patterns(about 5min/Pattern)/8 groups(max. 20)	
Main Functions		
OSD Menu	ON/OFF (English)	
Focus Control	Auto/Manual/Semi-Auto	
Color / BW Switching	Supplied	
Day/Night	Auto/Day/Night(ICR)	
Electronic Shutter	1/60~1/120,000sec	1/50~1/120,000sec
Iris Control	Auto/Manual(F1.6~Colse 18 step)	
Gain Control	Normal/High/OFF Selectable	
Brightness Control	Adjustable (0~31)	
White Balance	Auto/Manual(Red, Blue Gain Adjustable)	
BLC / Flickerless	ON/OFF	
Power-up Action	Resume the last action ececuted (Preset, Swing, Group)	
Auto Parking / Flip	ON/OFF; ON/OFF(rotates dome 180° at bottom of tilt travel)	
Privacy Zone	On/Off (8 Zone settings)	
Alarm I/O	4 inputs, 2 outputs	
Image Setup	Global / Local (setting WB & AE)	
Electrical & General		
Power	AC 24V / Max. 3.5W	
Dimensions (approx.)	Φ115	
Weight (net)	Approx. 805.5g (without optional accessories)	